

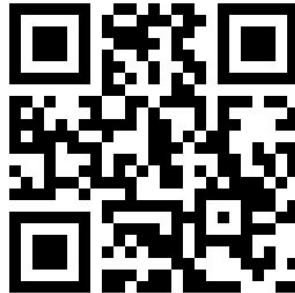
# We're Social | Follow Us



@ASMESDSU

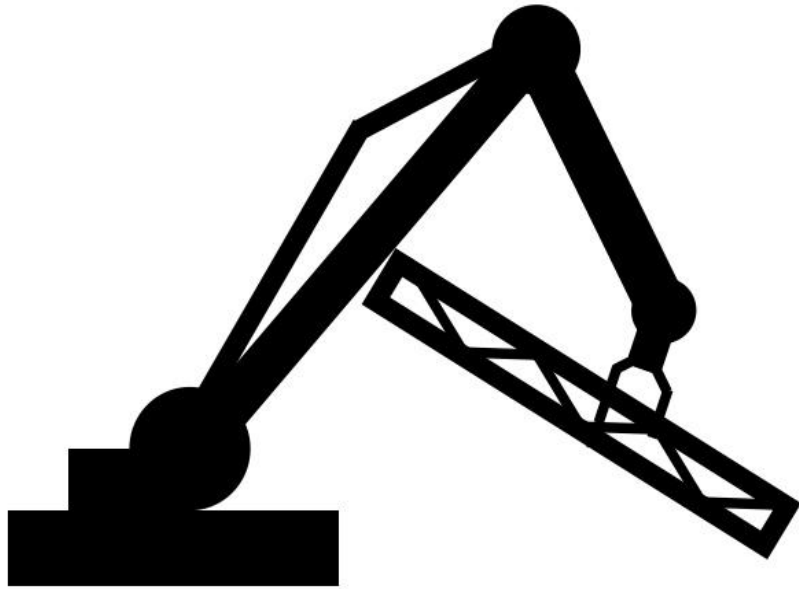


@ASMESDSU



ASME SDSU





@ASMESDSU



@ASMESDSU



ASME SDSU



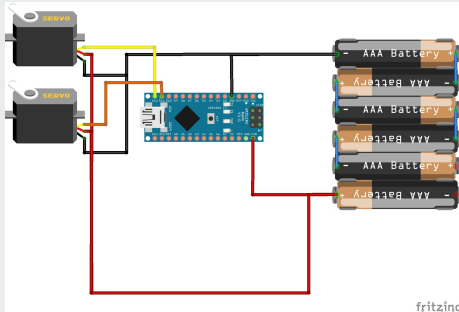
# ASME

American Society of Mechanical Engineers

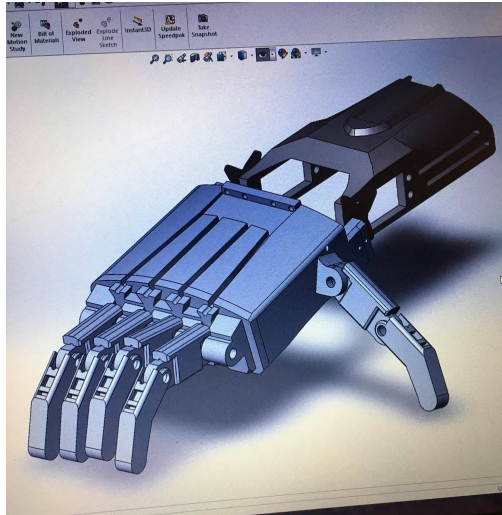


# Project Updates

- Prosthetic Updates
- Pneumatic Launcher Updates

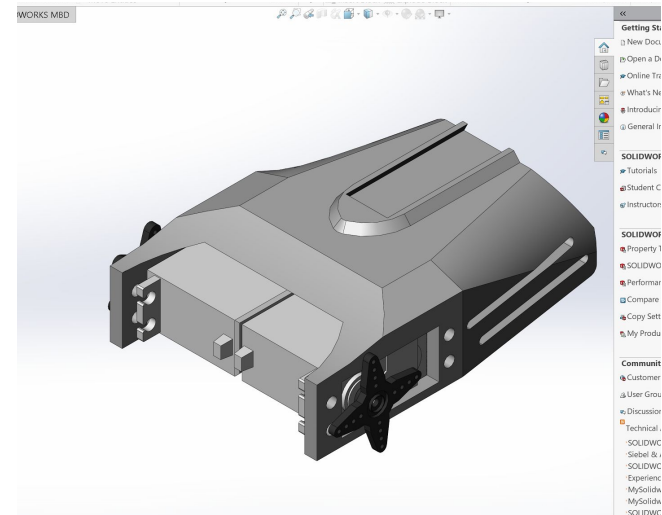


# Mind Controlled Prosthetic



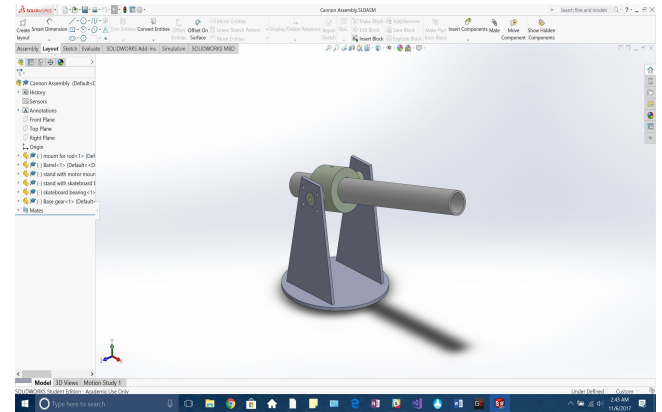
Design

- SolidWorks transition
- Printing will start soon!



# Autonomous Pneumatic Marshmallow Launcher

- Supplies have been purchased
- Final touches are being made in GrabCad
- We'll be presenting the project next meeting





## Other Announcements

- STEAM FESTIVAL on December 2nd.
  - ASME is taking part!
  - We'll be showing the projects we have been working on.
- Next GBM is on December 4th.
  - Show and Tell of our projects
  - Fun activities planned!
  - Last GBM of the semester

## Arduino Workshop #2!



NUVASIVE®



## CASH OR VENMO @HANNAH\_MORGAN

MERCH SALES!!!

MEN'S T-SHIRTS - \$10

MEN'S POLOS - \$15

WOMEN'S SHIRTS - \$10

WATER BOTTLES - \$5

SALE AZTEC T-SHIRTS - \$7



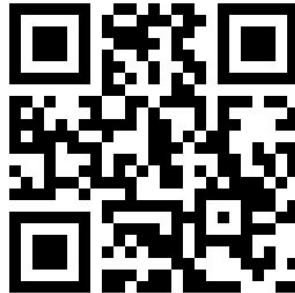
# We're Social | Follow Us



@ASMESDSU



@ASMESDSU



ASME SDSU

